



27

Netter Pneumatic Impactors Series PKL



- Impulse up to 81 Ns
- Reduced air consumption
- Silenced version with elastomer inlay EE
- Self-steering ST version available
- Available in ATEX compliant or in stainless steel



PKL 135



PKL 150 ST



PKL 170



PKL 220



Netter Pneumatic Impactors Series PKL

| Type | Operating pressure [bar] | | Max. pulse [Ns] | Work blow with optimum pressure [Nm] | Air consumption blow with optimum pressure [Normal litre] | Weight [kg] | Technical selection criteria wall thickness [mm] |
|------------|--------------------------|---------|-----------------|--------------------------------------|---|-------------|--|
| | required | optimal | | | | | |
| PKL 135/4 | 3 – 4,5 | 4,2 | 3,3 | 10 | 0,13 | 1,8 | 1 – 2 |
| PKL 135/6 | 5 – 6 | 5,9 | 4,0 | 15 | 0,21 | 1,8 | 1 – 2 |
| PKL 150/3* | 2,5 – 3 | 2,9 | 4,8 | 15 | 0,54 | 2,5 | 2 – 4 |
| PKL 150/4 | 3 – 4,5 | 4,1 | 5,7 | 21 | 0,76 | 2,5 | 2 – 4 |
| PKL 150/5* | 4 – 5 | 4,7 | 6,0 | 24 | 0,87 | 2,6 | 2 – 4 |
| PKL 150/6 | 5 – 6 | 5,9 | 6,8 | 30 | 1,09 | 2,6 | 2 – 4 |
| PKL 170/3 | 3 – 4 | 3,7 | 15,4 | 56 | 1,11 | 11,0 | 4 – 5 |
| PKL 170/5 | 4 – 6 | 5,5 | 18,8 | 84 | 1,65 | 11,1 | 4 – 5 |
| PKL 200/3 | 3 – 4 | 3,6 | 33,0 | 109 | 2,34 | 20,0 | 5 – 8 |
| PKL 200/5 | 4 – 5,5 | 5,4 | 40,6 | 164 | 3,51 | 20,1 | 5 – 8 |
| PKL 220/4 | 3 – 4 | 4,0 | 66,0 | 266 | 1,60 | 8,8 | > 8 |
| PKL 220/6 | 5 – 6 | 6,0 | 81,2 | 328 | 2,40 | 8,9 | > 8 |

*special Versions

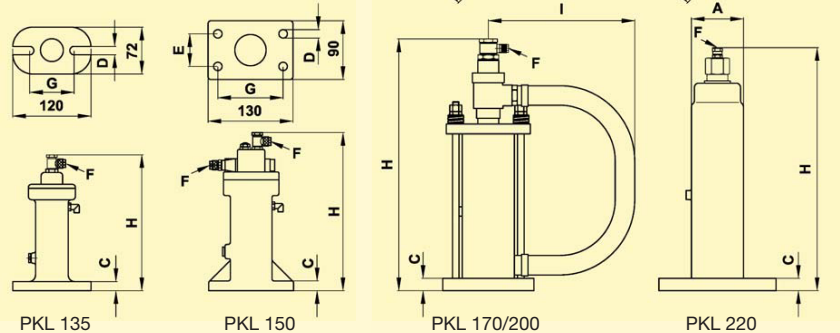
Technical modifications reserved.

| | ØA [mm] | ØB [mm] | C [mm] | ØD [mm] | E [mm] | F [mm] | G [mm] | H [mm] | I [mm] |
|-----------|---------|---------|--------|-------------|---------------|--------|----------------|--------|--------|
| PKL 135 | - | - | 14 | 13,0 | - | G 1/8 | 90,0 | 203 | - |
| PKL 150 | - | - | 15 | 12,5 | 50 | G 1/8 | 100,0 | 245 | - |
| PKL 170 | - | 140 | 19 | 13,5 | Ø 115 | G 3/4 | 81,5 | 352 | ~230 |
| PKL 200 | - | 177 | 24 | 17,0 | Ø 152 | G 3/4 | 107,5 | 385 | ~225 |
| PKL 220** | 80 | 140/177 | 19/24 | 13,5/ 17 | Ø 115/ 152 | G 1/8 | 81,5/ 107,5 | 381 | - |

**available with mounting patterns PKL 170 or PKL 200



Filter outlets cleaning



Applications

PKL impactors are to be used for knocking off material adhering to container walls (e.g. silos, funnels, filter outlets, pipelines and reactors) and for emptying the residual material from weighing containers, and generally against the formation of bridging and rat-holing.

Design and functioning principle

The pneumatic impactor is a pneumatic hammer. The compressed air gets under the piston and presses it against one or two springs. The air under the piston is evacuated abruptly.

Thus the piston is shot by the springs against the impact plate via which the impact is transmitted (Exception PKL 150: The piston hits directly). The air is then discharged through a quick exhaust valve. The knocker is mounted by the flange plate with bolts.

The PKL impactors are operated with an external way valve. Impact by evacuating the valve.

For automatic interval operation we offer a timer (AP).

ATEX compliant impactors of the PKL series and units with stainless steel housing are available.

Permissible operating conditions

Drive medium:

Compressed air or nitrogen (Filter ≤ 5 µm), preferably with oil mist

Operating pressure:

3 bar to 6 bar

Ambient temperature:

-20°C to 60°C

HT version up to 160°C

NetterVibration offers the accessories required for the mounting, installation and control of vibrators and interval impactors.

Netter provides solutions. Consult our experienced application technicians.

Netter GmbH

Germany

Fritz-Ullmann-Str. 9
55252 Mainz-Kastel
Tel. +49 6134 2901-0
Fax +49 6134 2901-33

United Kingdom

92A Littleworth Road
Hednesford, Cannock
Tel. +44 1543 424990
Fax +44 1543 423196

Switzerland

Erlenweg 4
4310 Rheinfelden
Tel. +41 61 8316200
Fax +41 61 8311291

www.netter-vibration.com
info@netter-vibration.com